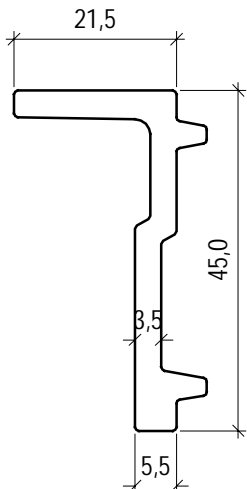


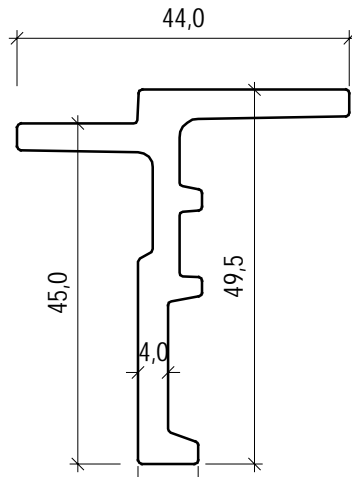
Echelle :1

PROFILS METALLIQUES LAMINES

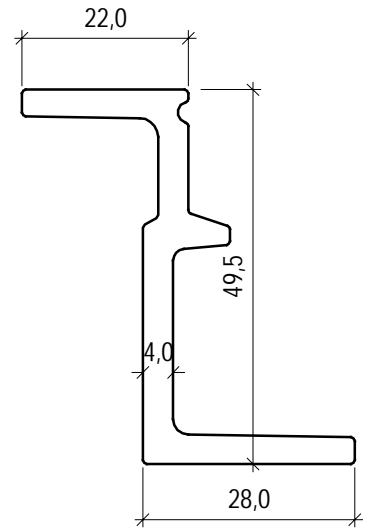
P.M.L



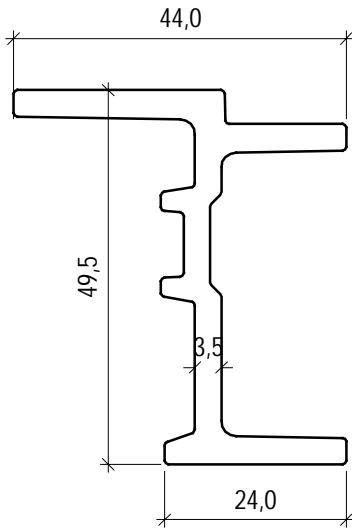
ML 12



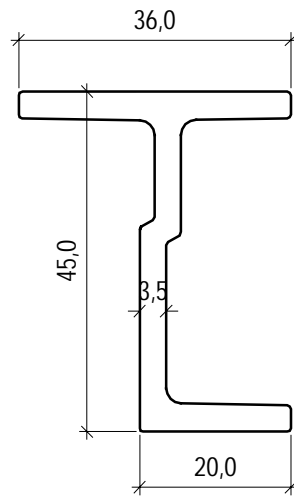
ML 15



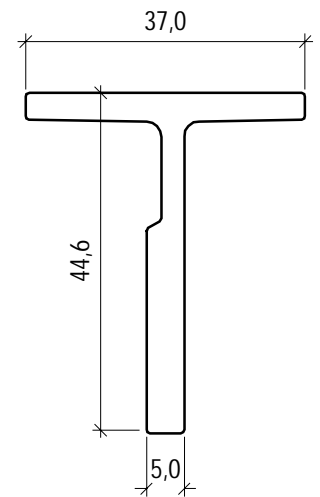
ML 16



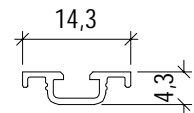
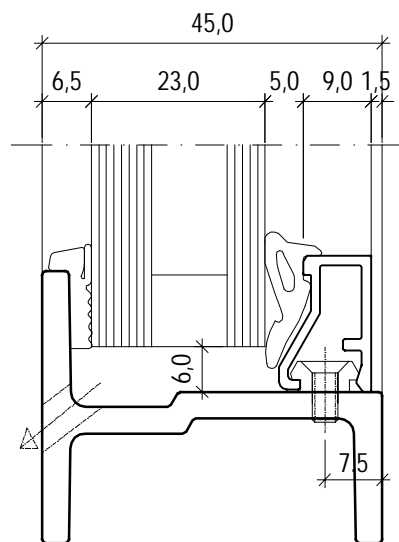
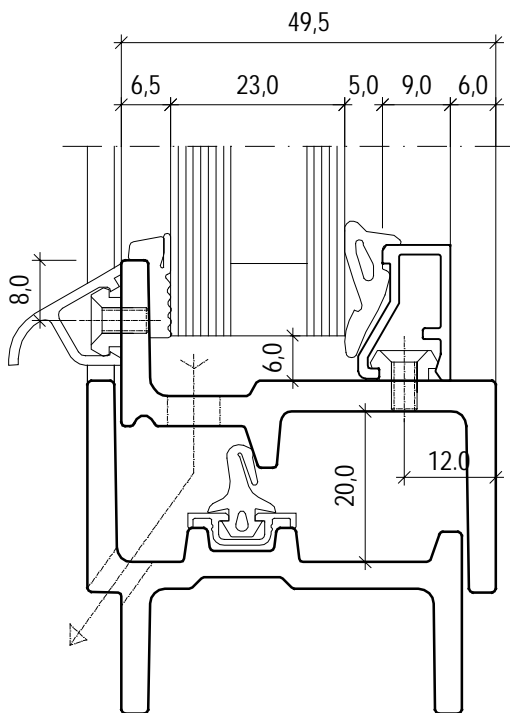
ML 17



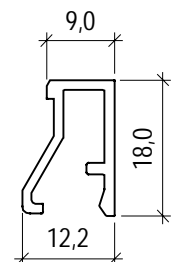
ML 19



ML 21



ML A1



ML A6

